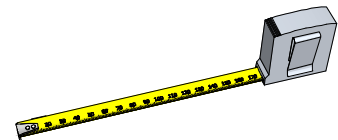
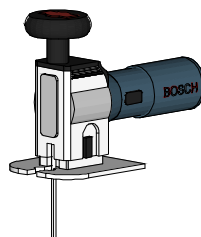
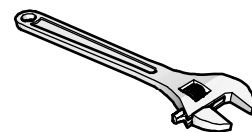
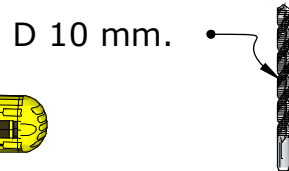
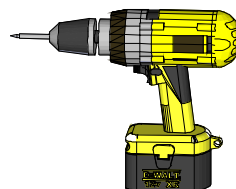
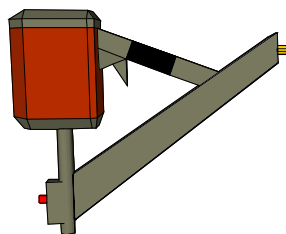
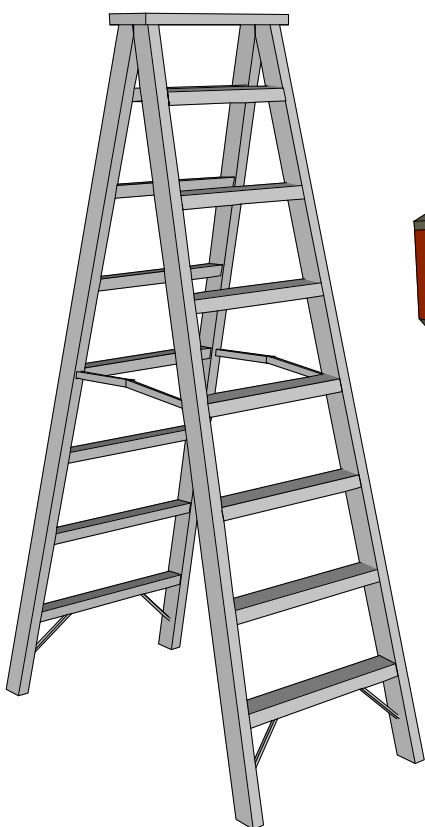
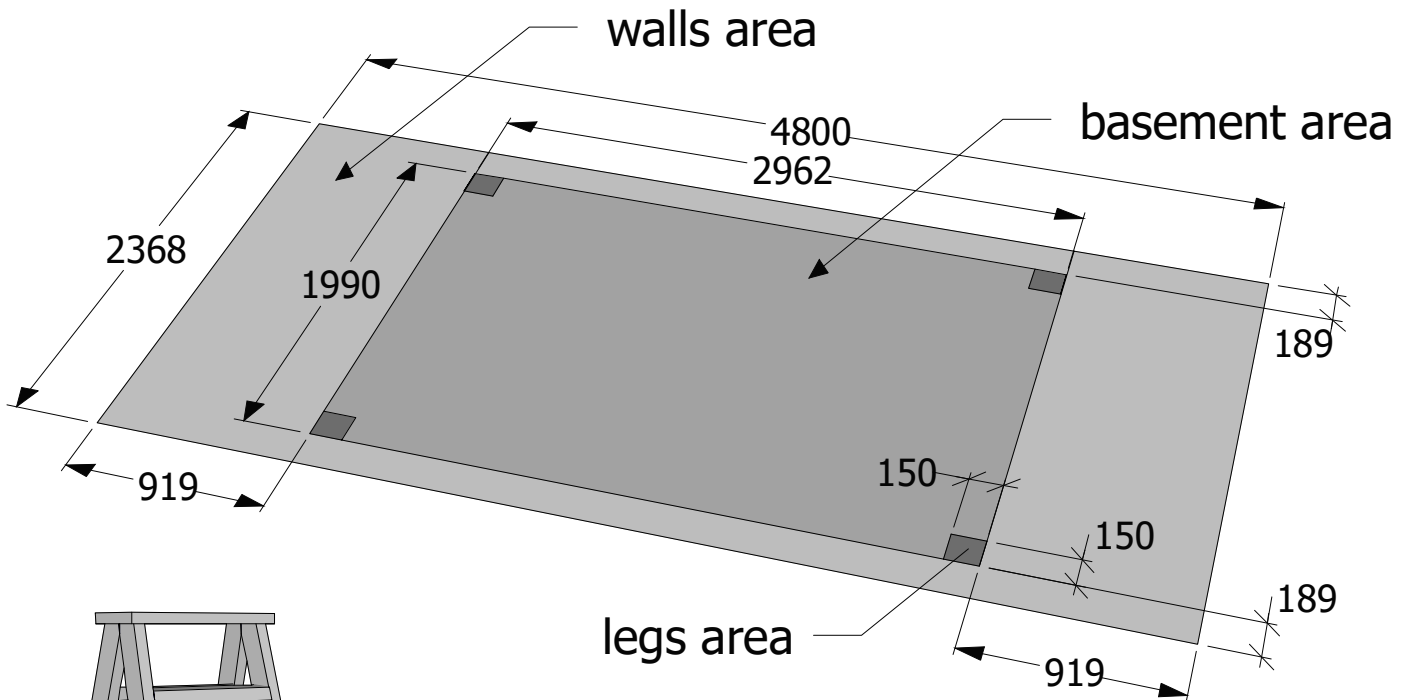
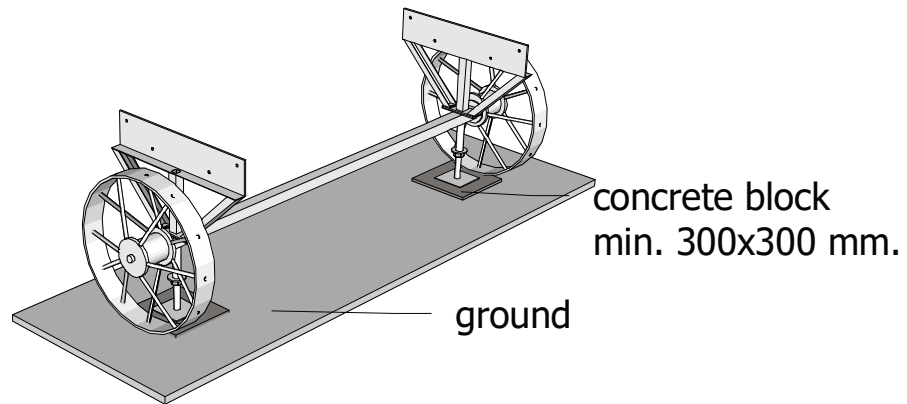
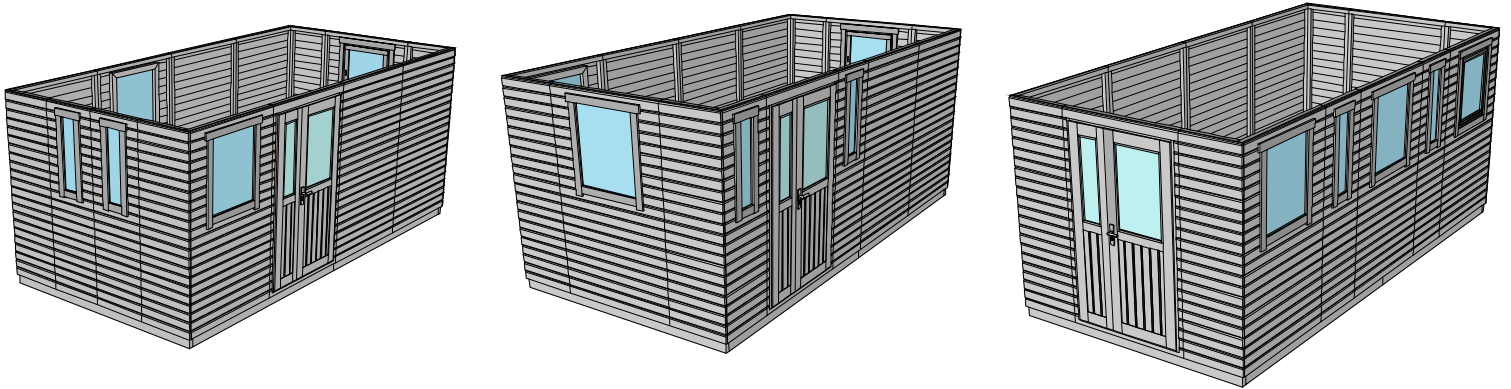


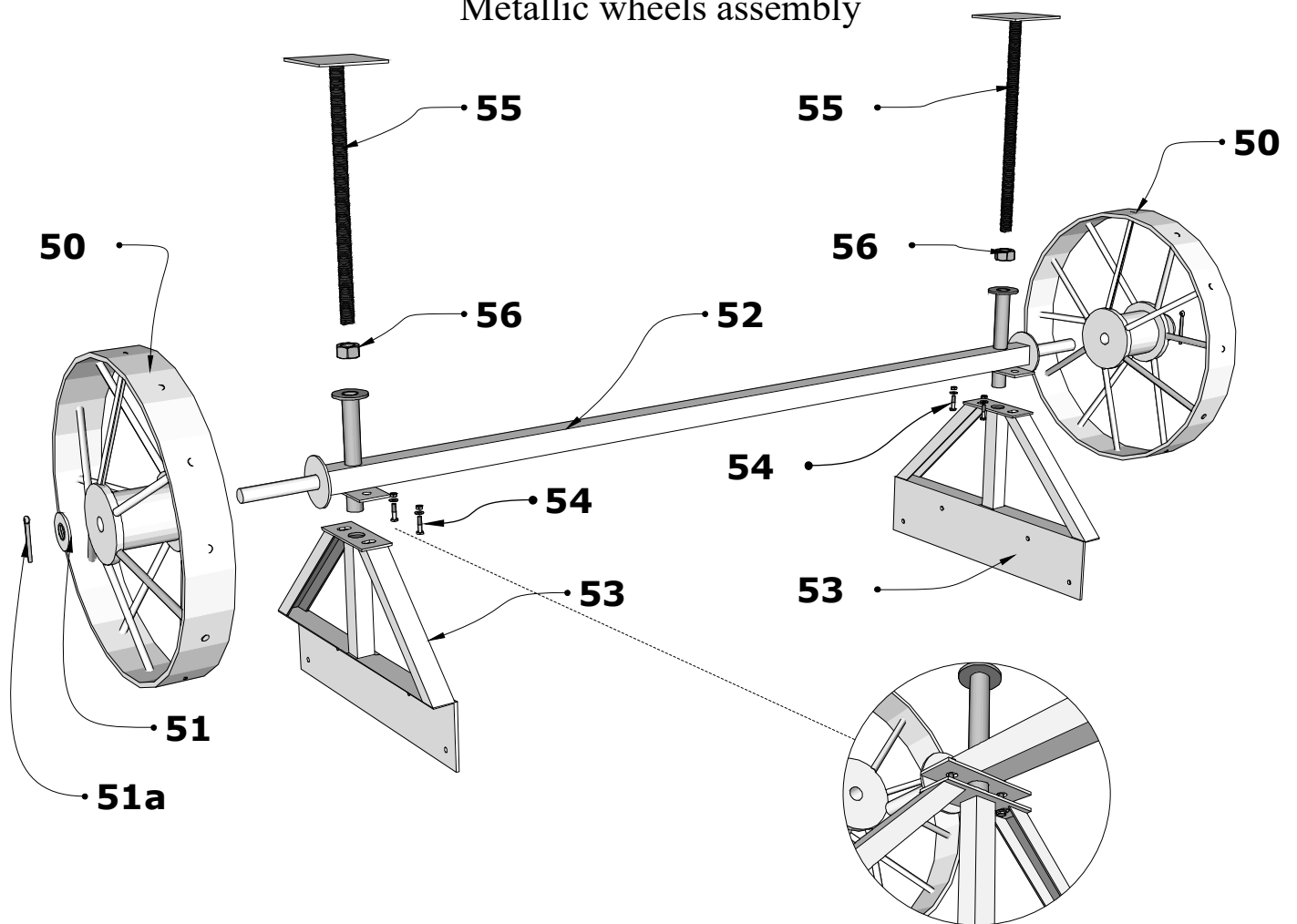
This wagon must be based on adjustable legs and is not movable.



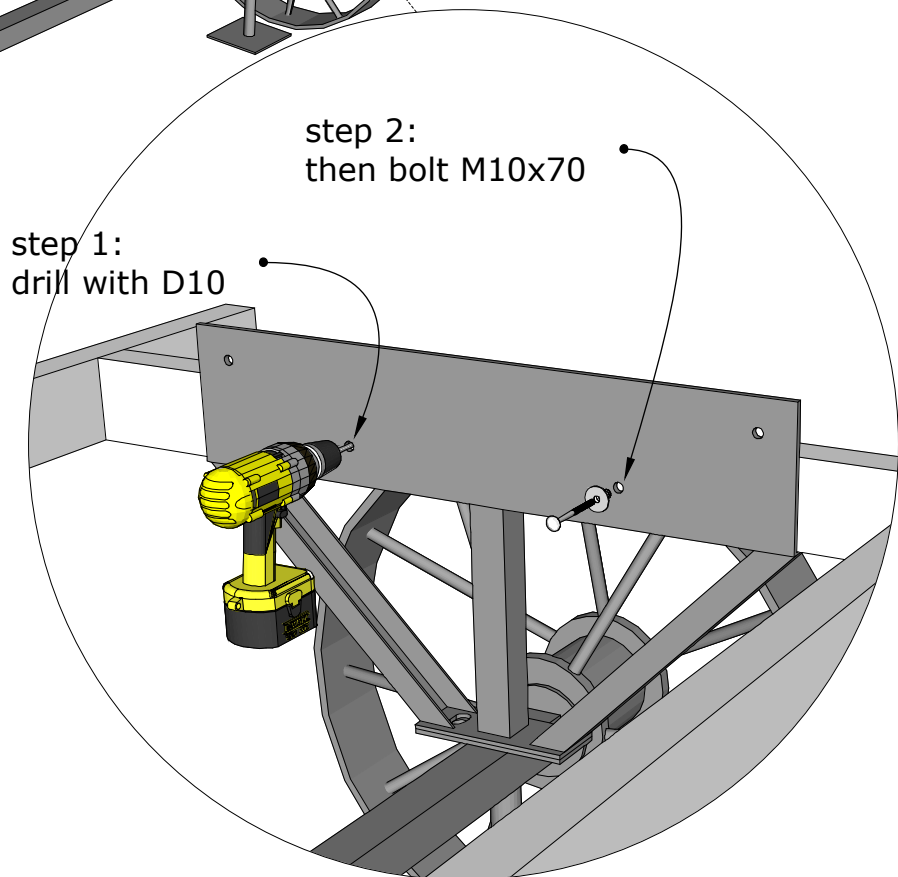
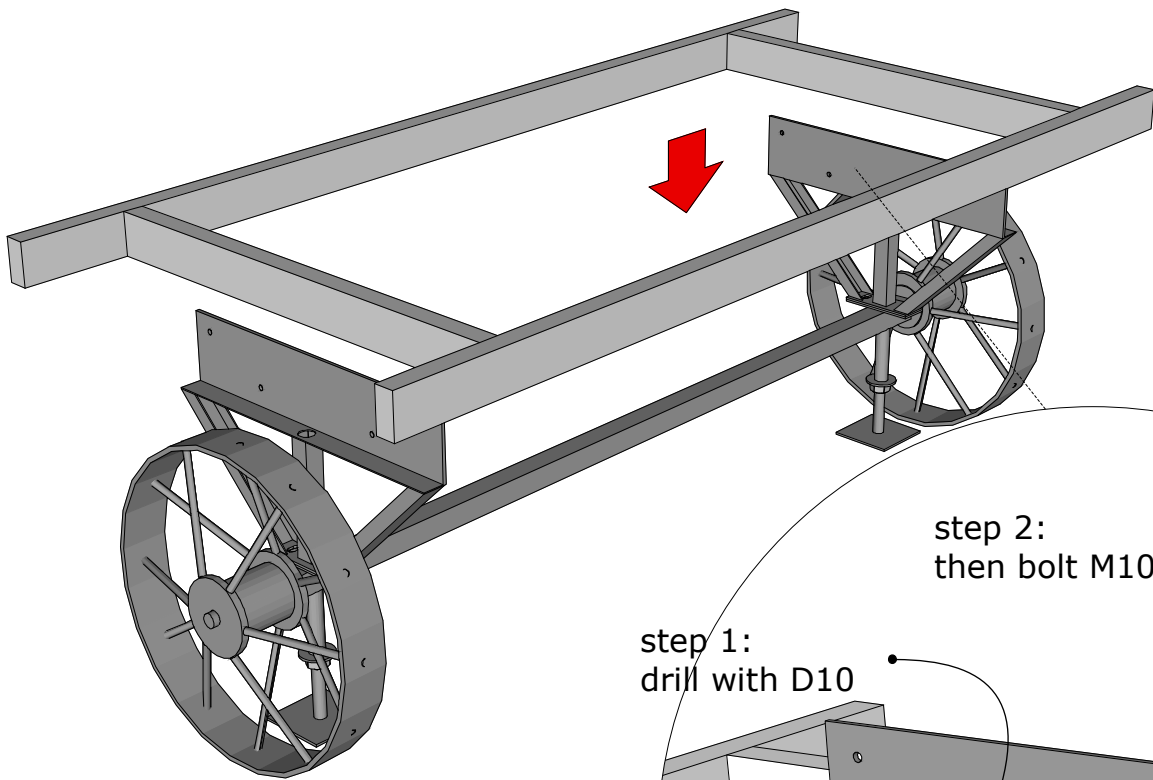
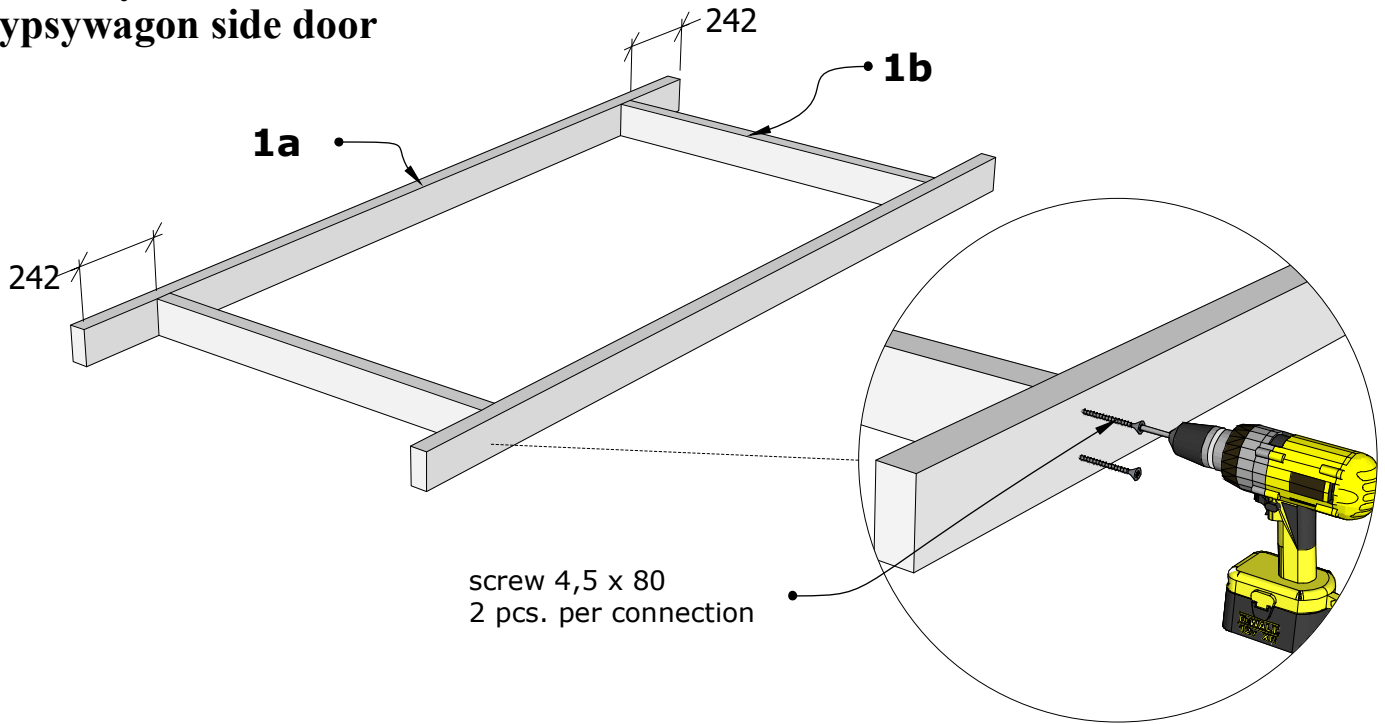
Possible walls compilation options

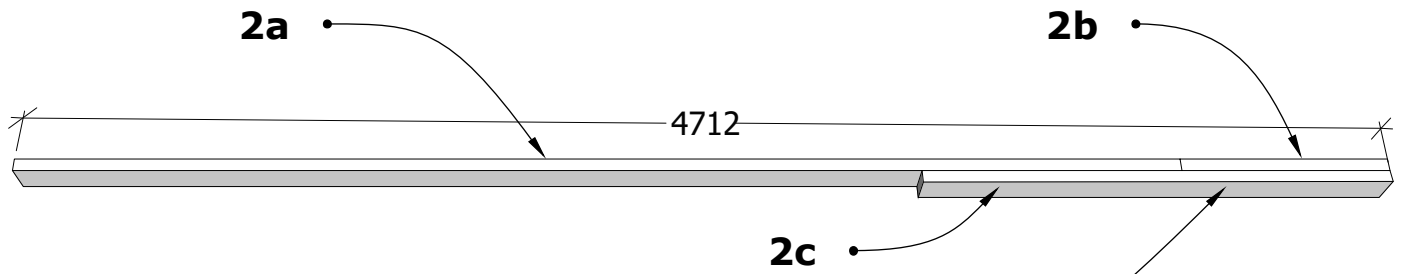
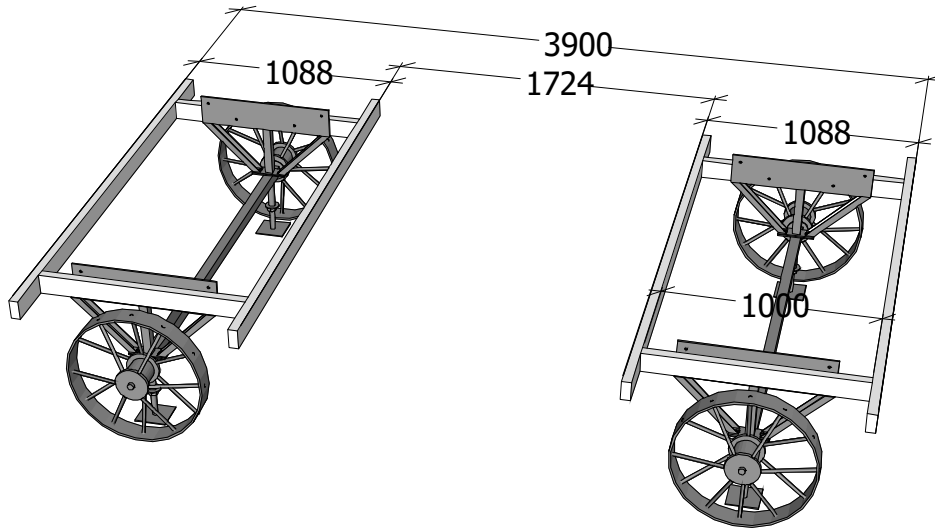


Metallic wheels assembly



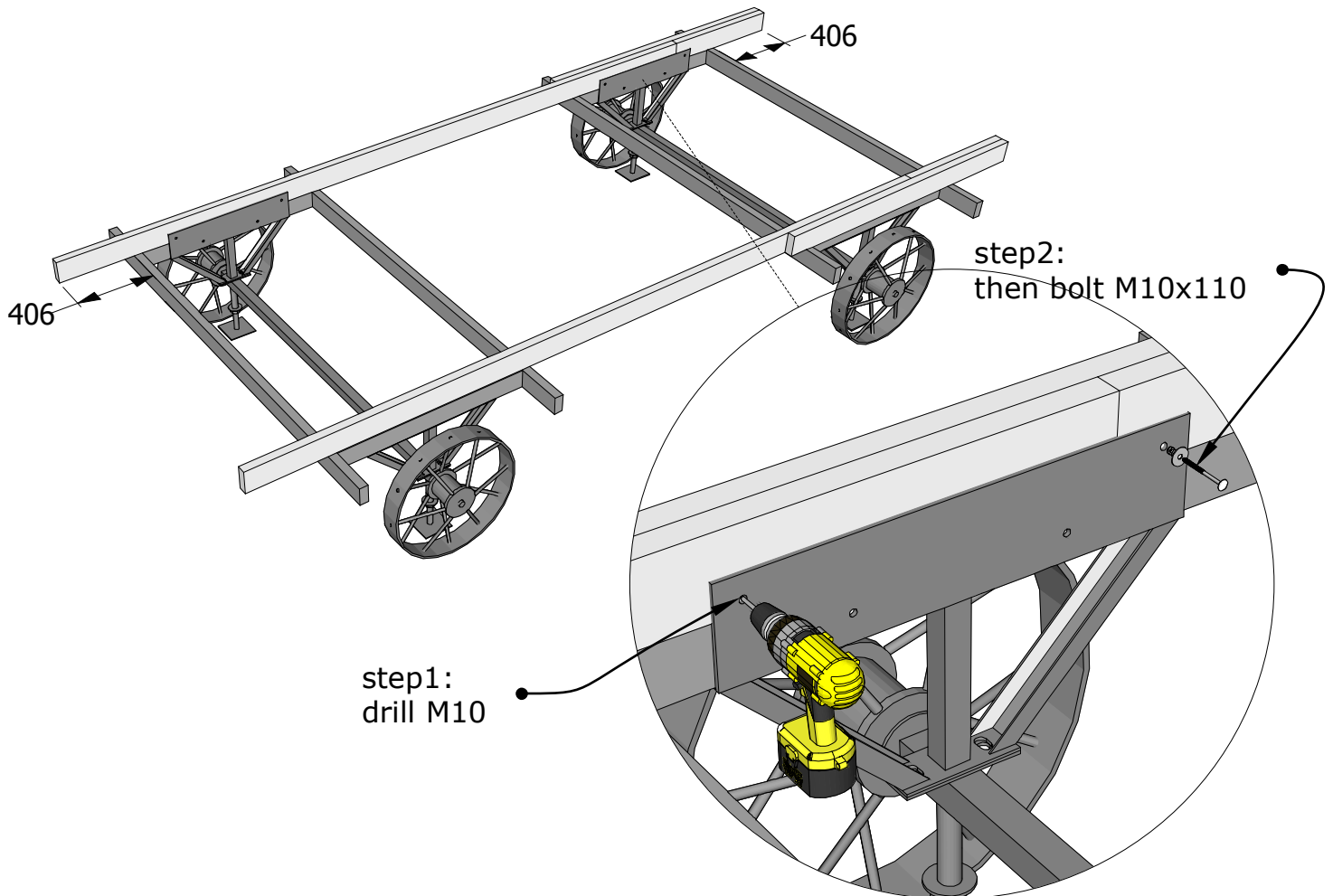
Assembly instruction Gypsywagon side door

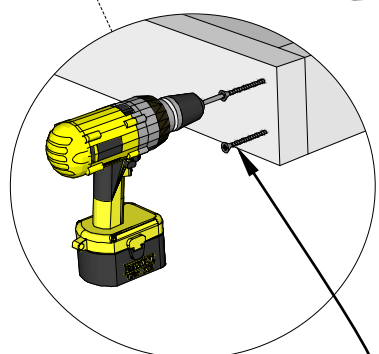
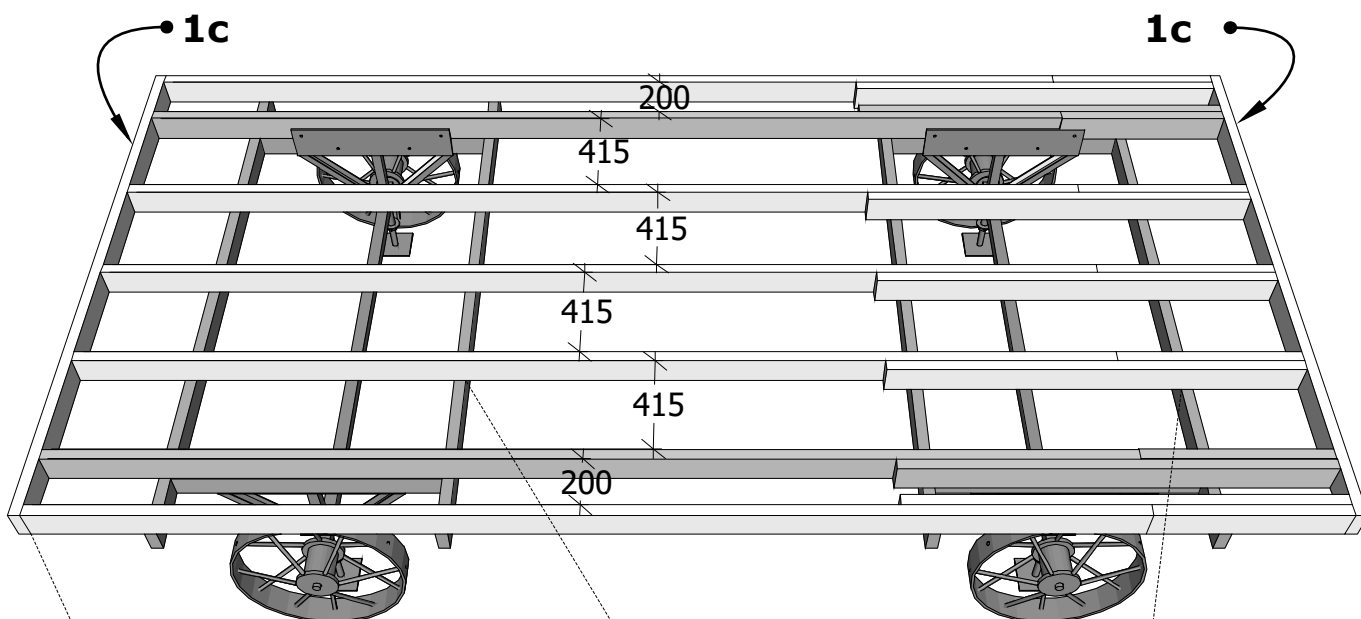




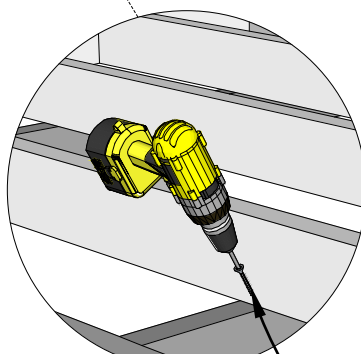
do it 7x

12 screws 4,5x80
per connection

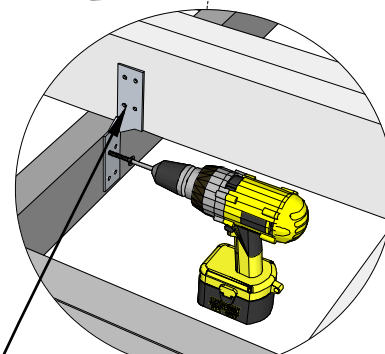




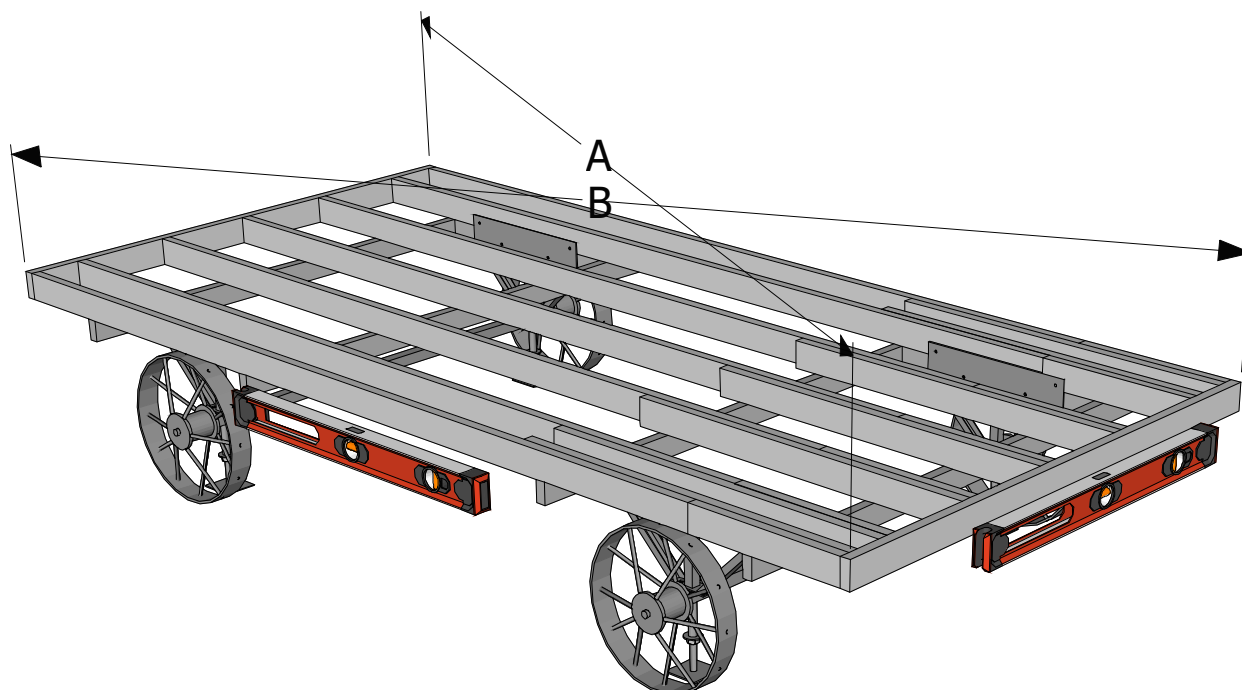
2 screws 4,5x80 per connection, totally 28 pcs.



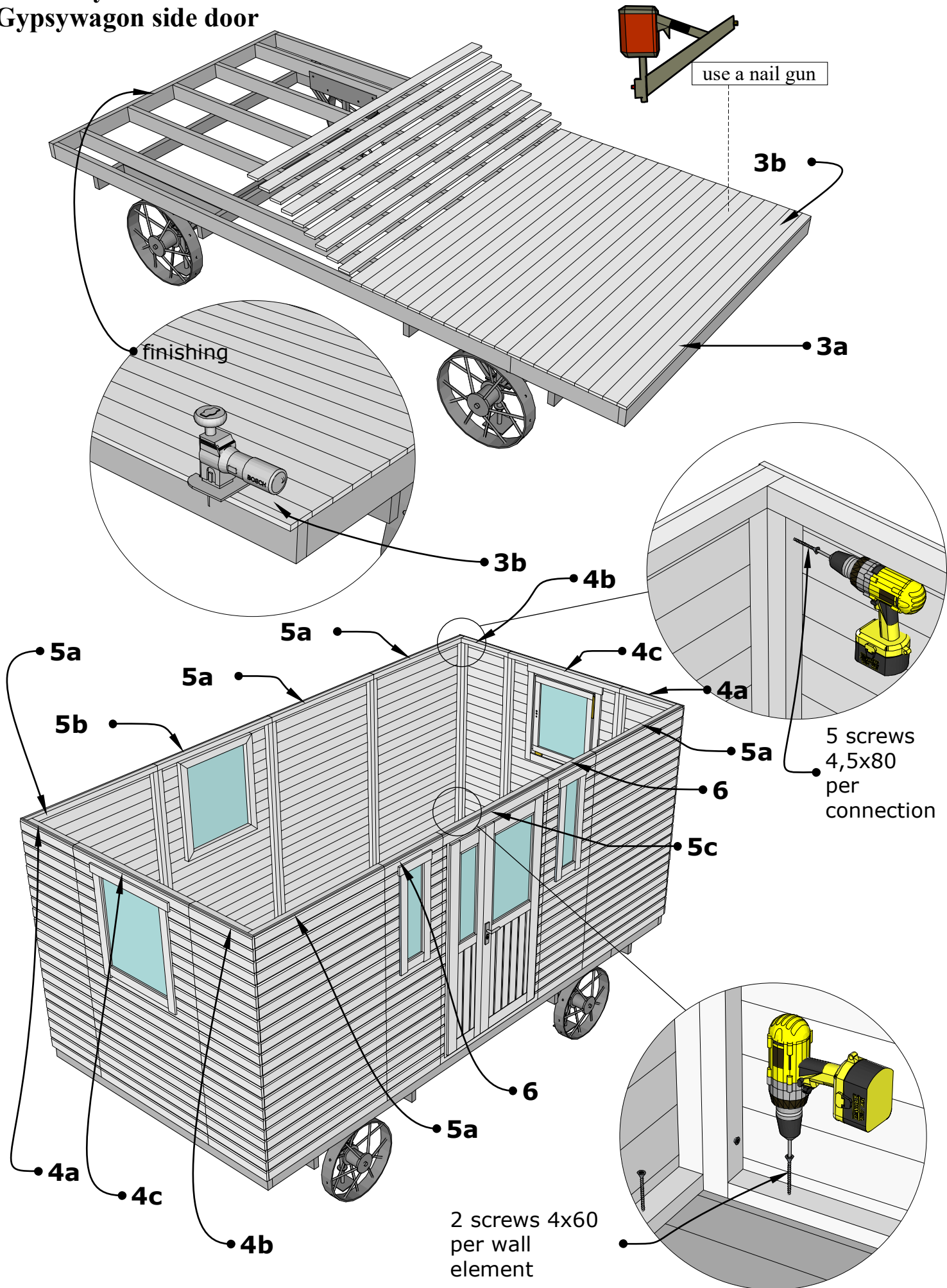
1 screw 4,5x80 per connection, totally 14 pcs.



1 support plate 170x35x2 per connection, totally 14 pcs.
+
16 screws 3,5x40 per plate, totally 112 pcs.

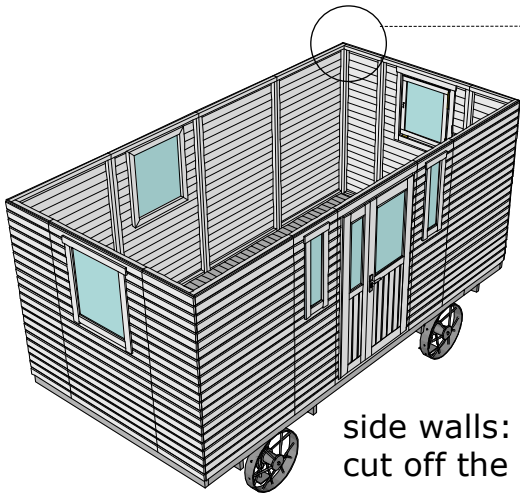


Assembly instruction Gypsywagon side door

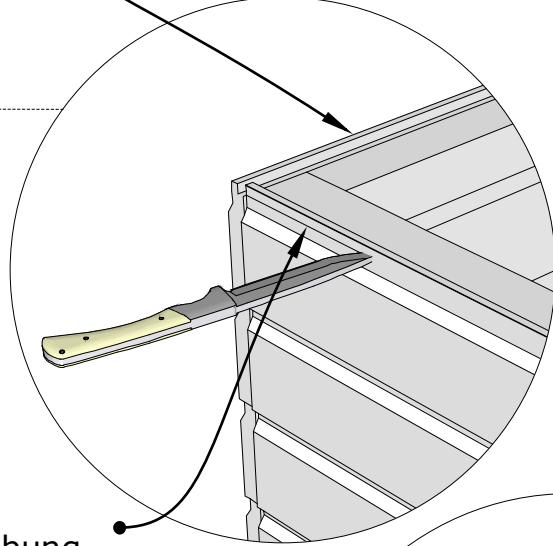


Assembly instruction Gypsywagon side door

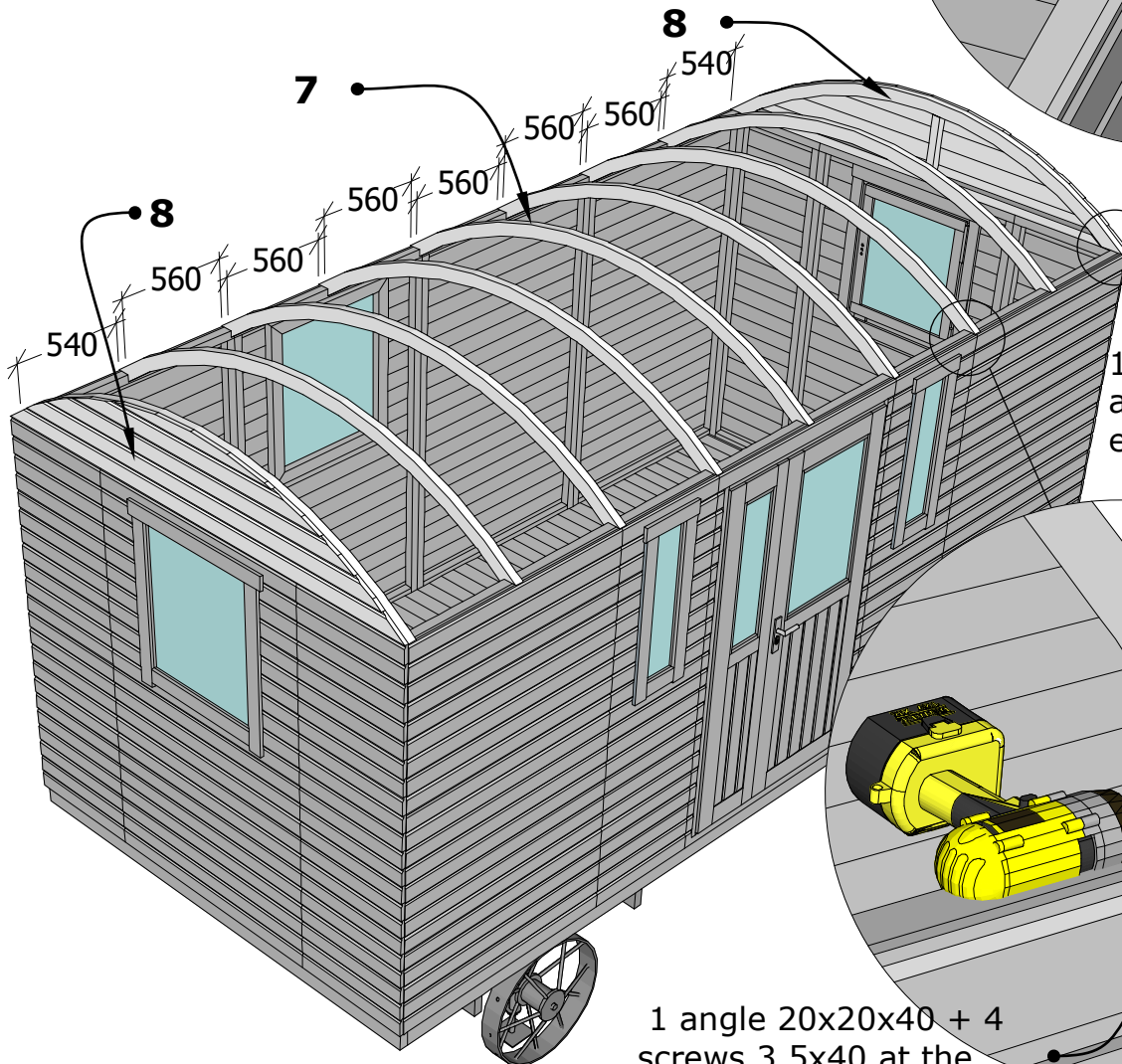
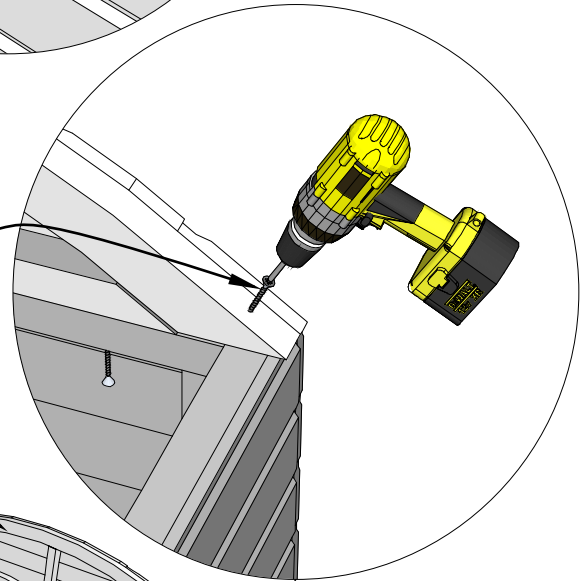
end walls:
do`nt cut off the upper bung page 7/12



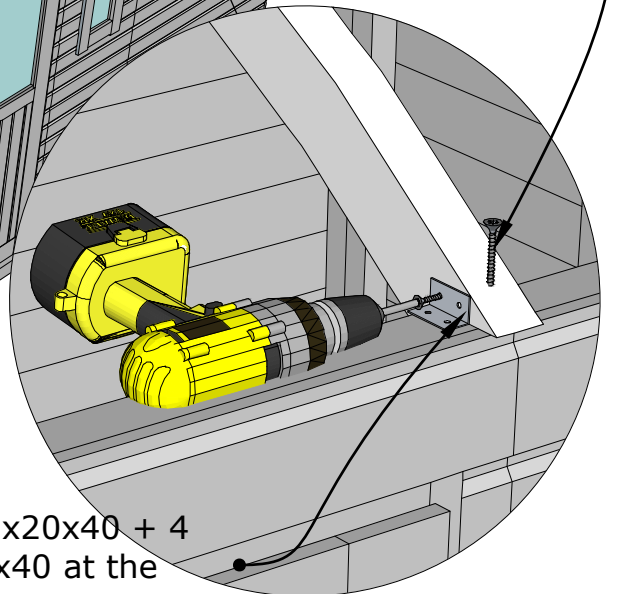
side walls:
cut off the upper bung



8 screws 4,5x80
per arched element

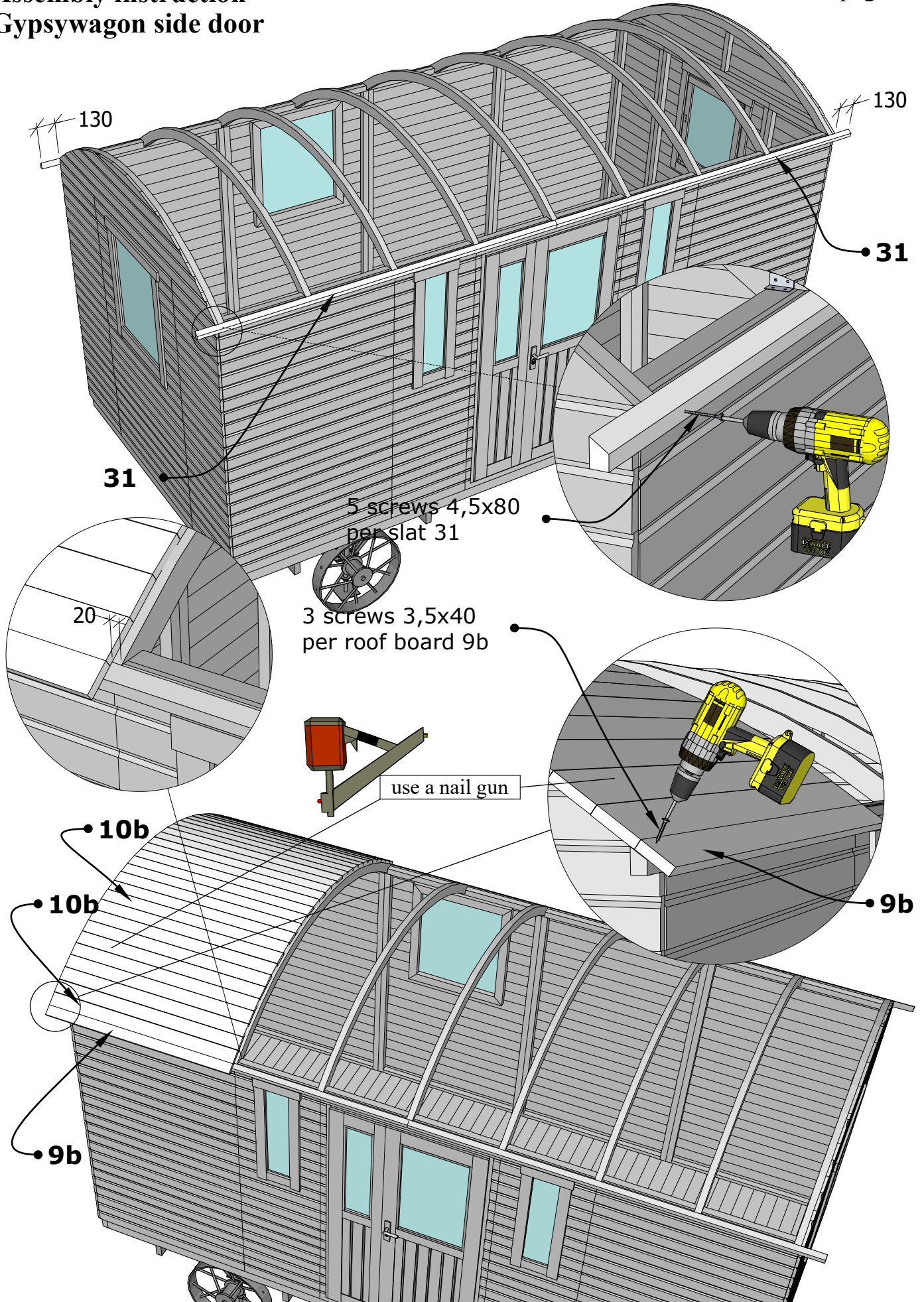


1 screw 4x60
at the end of
each arc

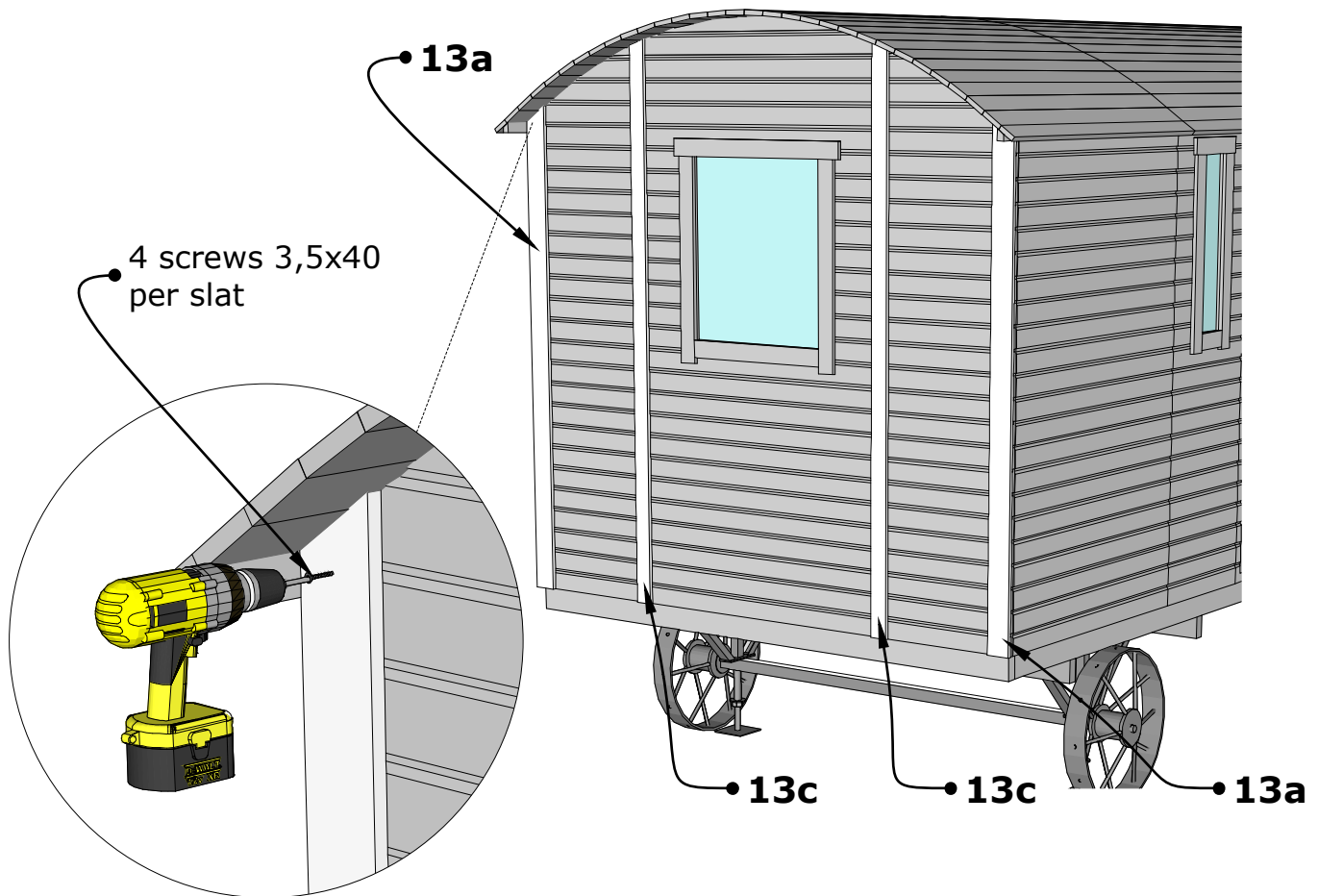
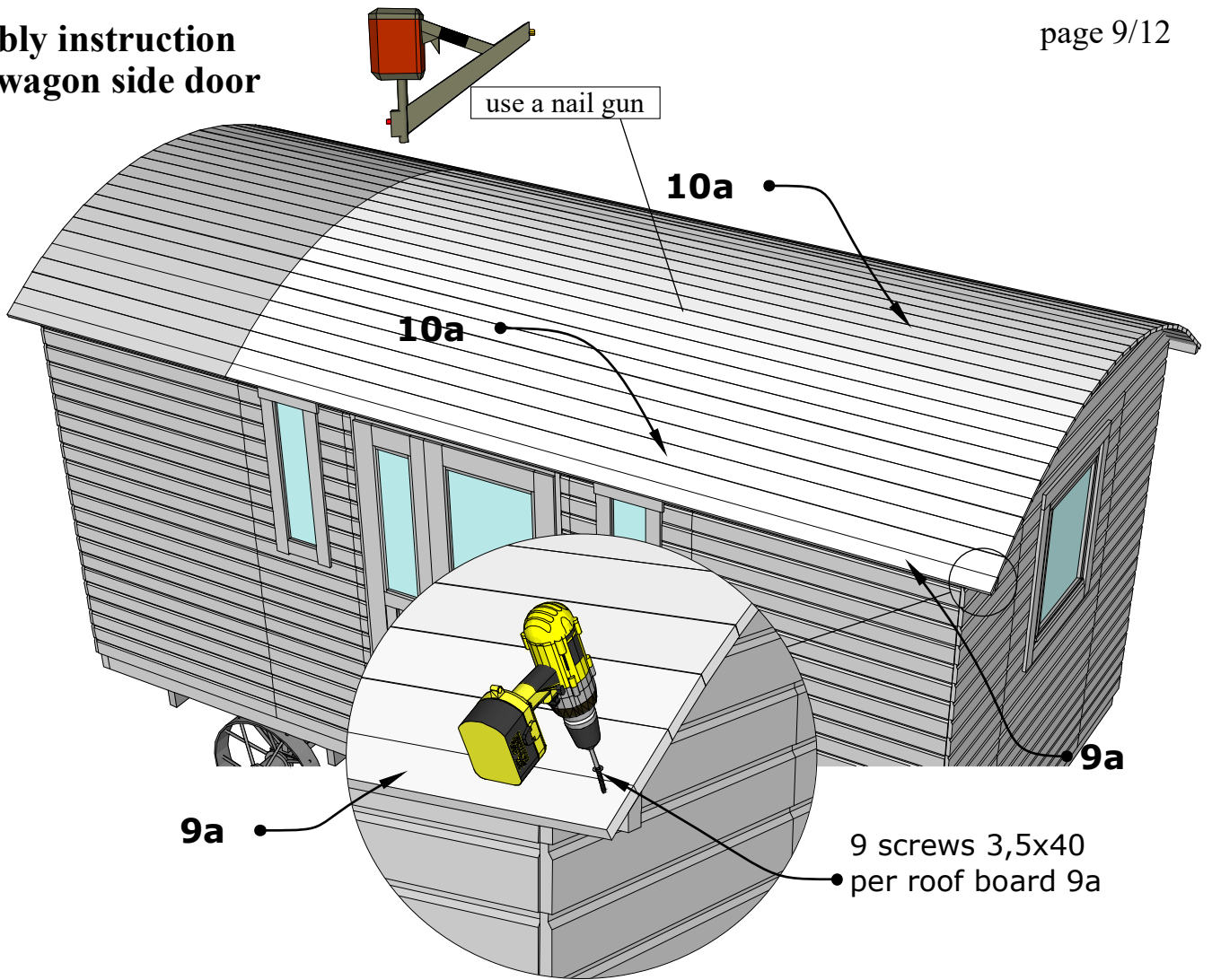


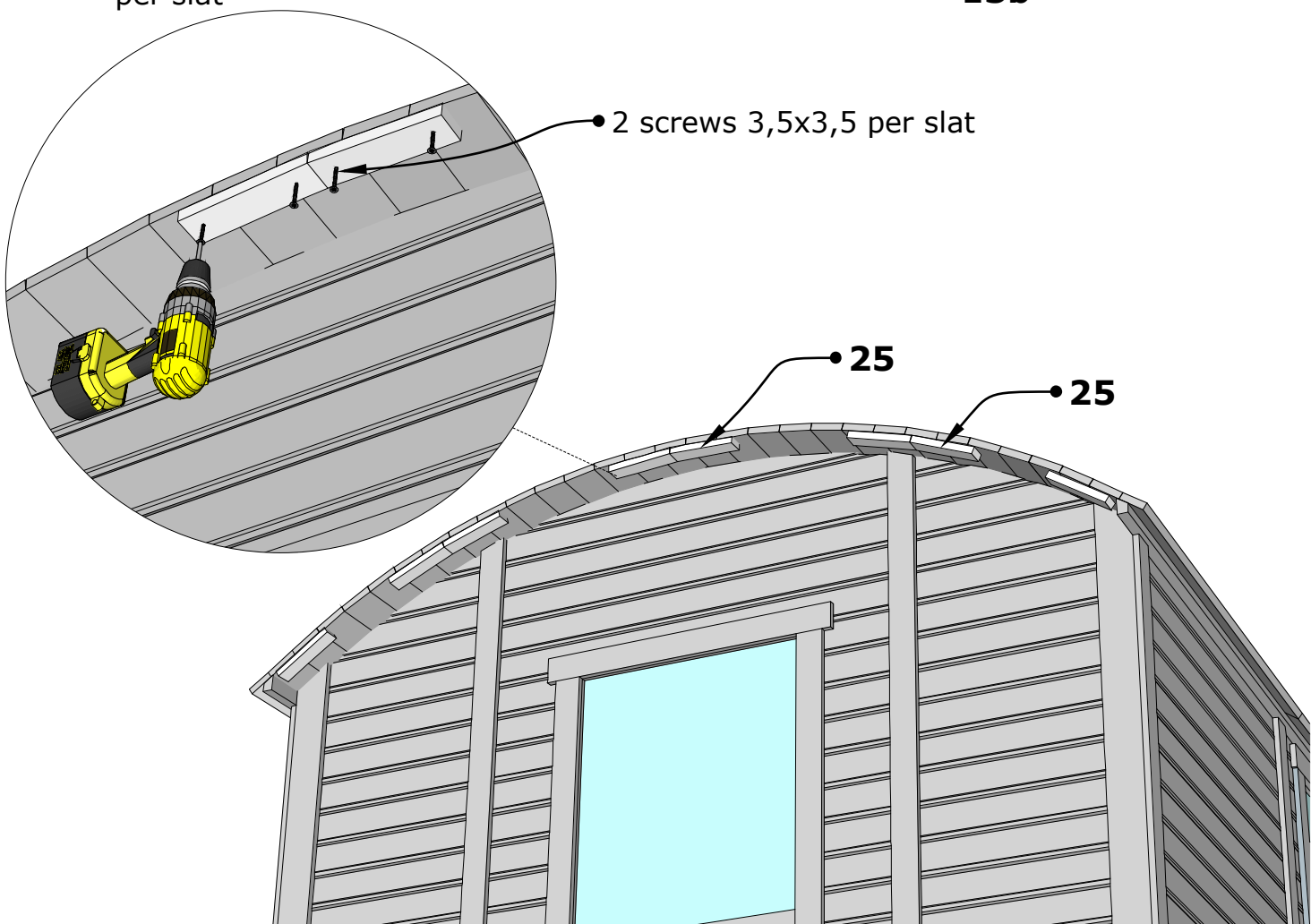
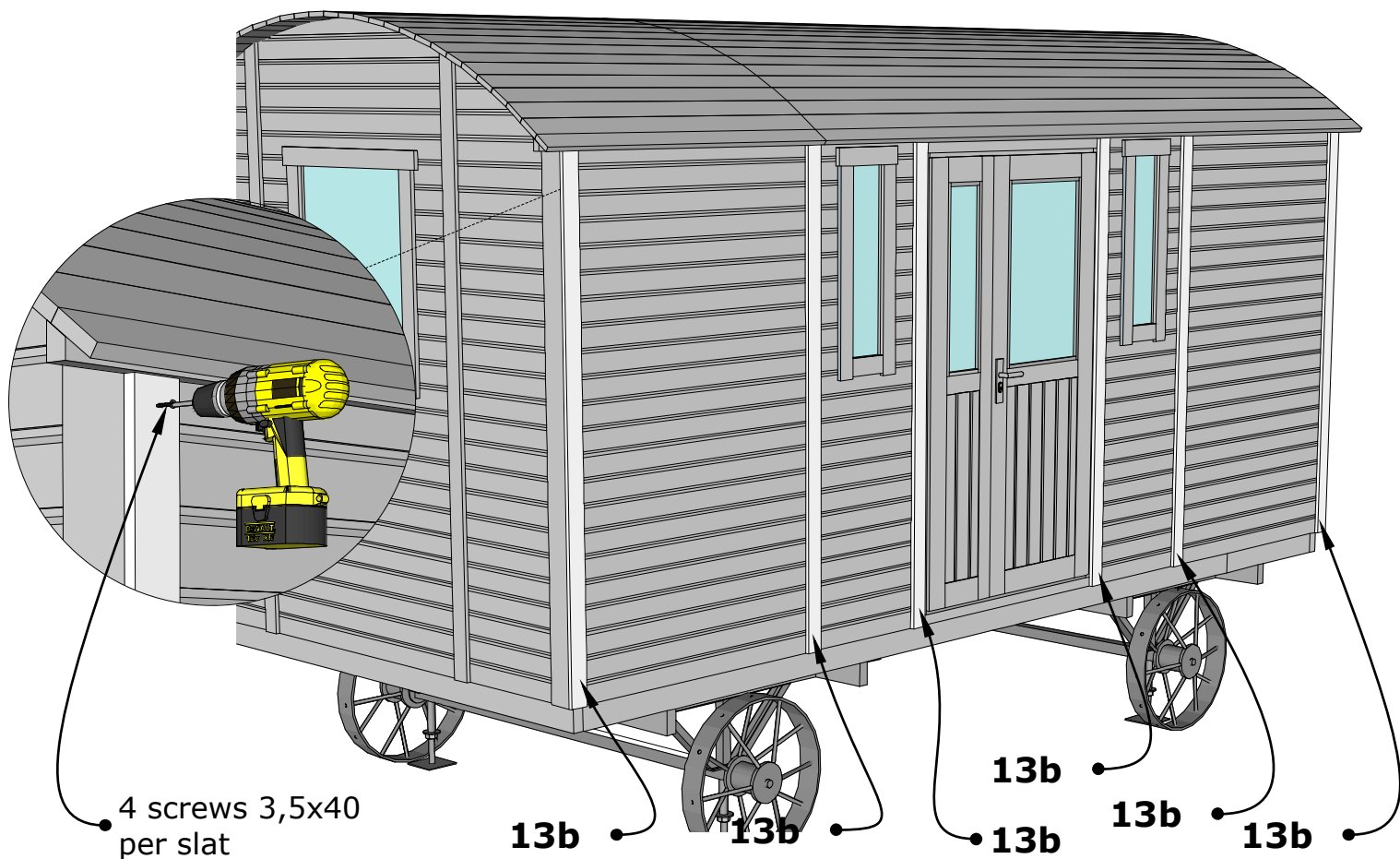
1 angle 20x20x40 + 4
screws 3,5x40 at the
end of each arc

Assembly instruction Gypsywagon side door

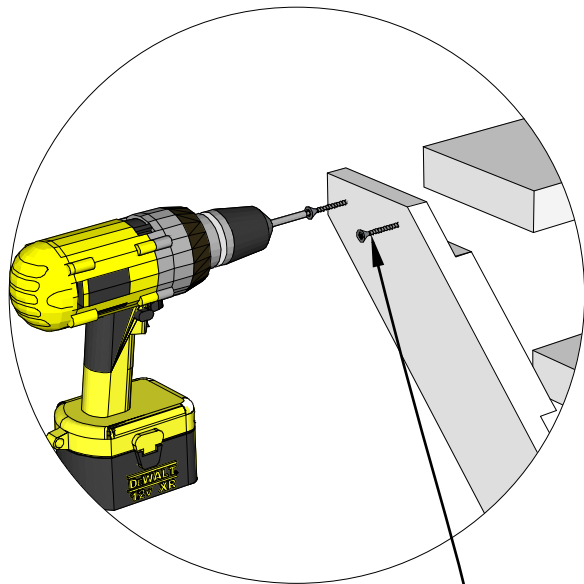
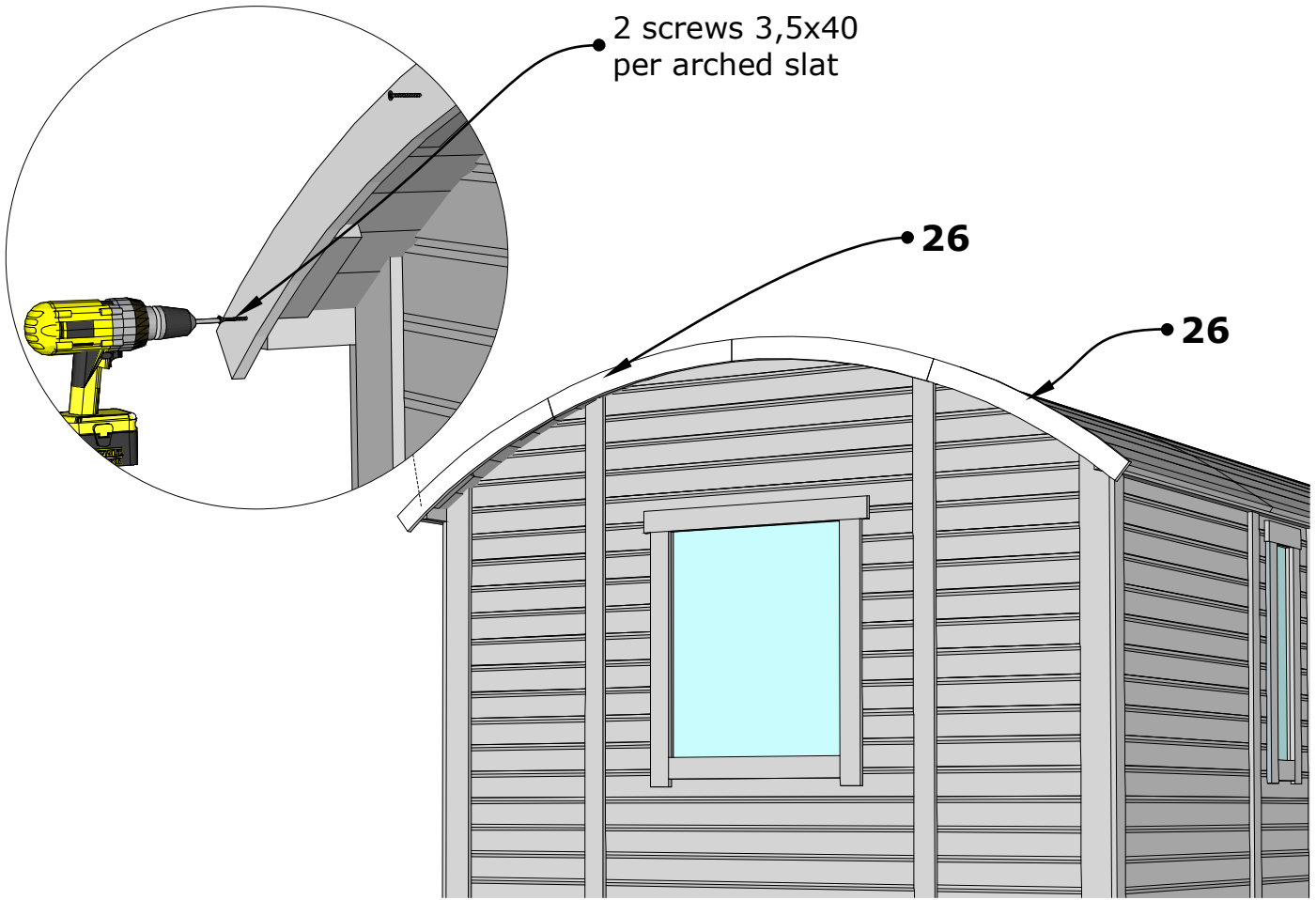


Assembly instruction Gypsywagon side door

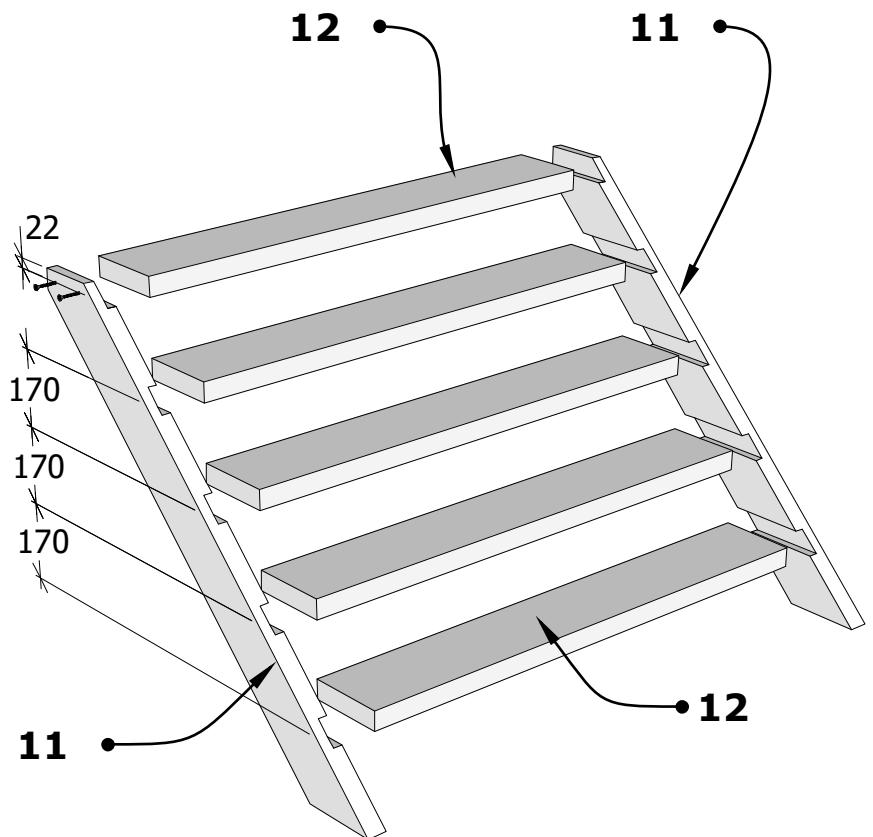


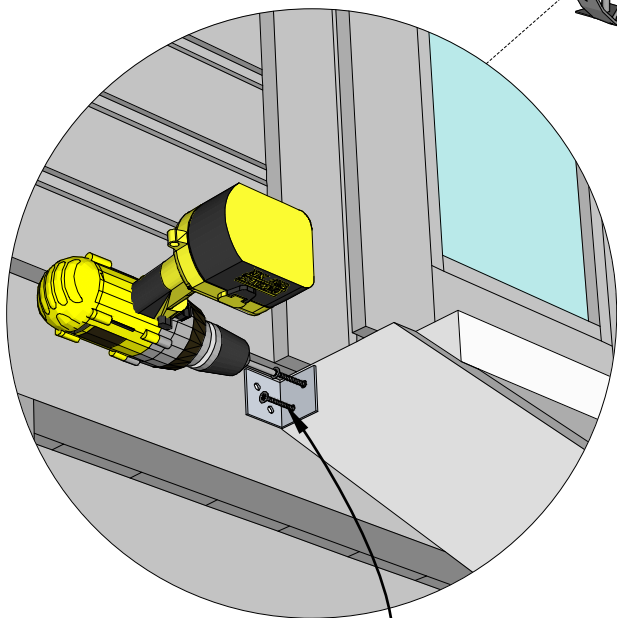
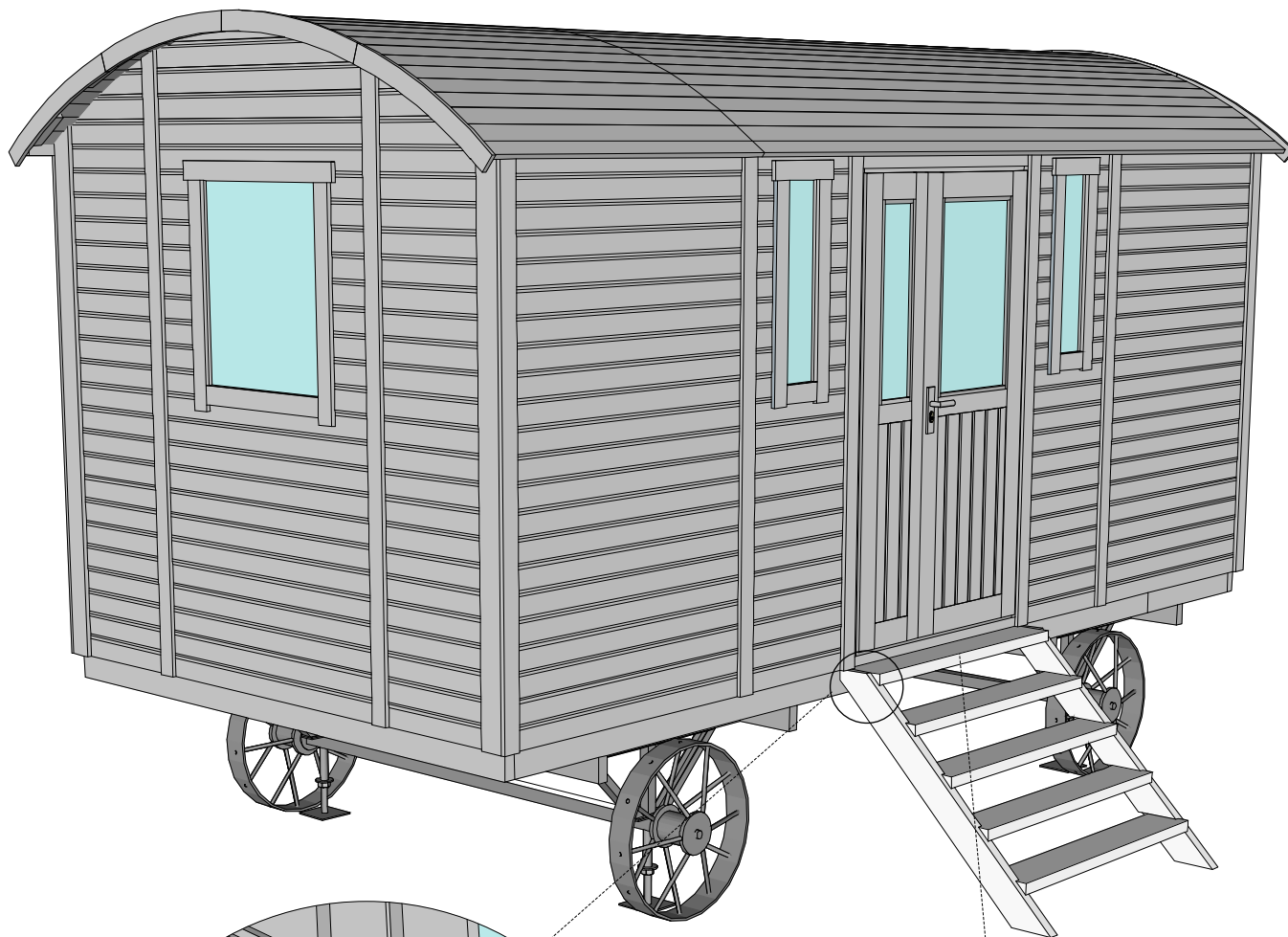


Assembly instruction Gypsywagon side door

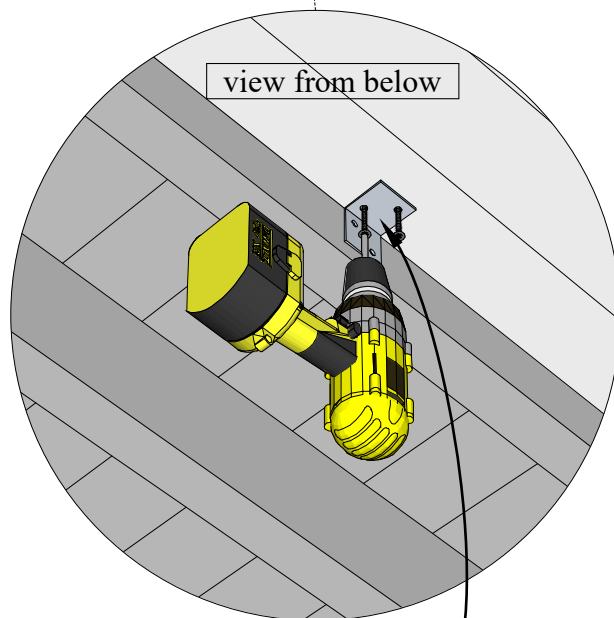


2 screws 4,5x80
at the end of each step





2 angles 40x40x40 +
6 screws 3,5x40 per
angle



1 angle 40x40x40 +
6 screws 3,5x40 per
angle